



Volume VIII
Number 1

January
1979

Official Publication of the Southern Division
National Ski Patrol System, Inc.
Rt.3, Box 118, Summerfield, N.C. 27403

Division Director
David P. Dillard

Editor
Roberta S. Rupp

FROM THE DIVISION DIRECTOR

We as with many other divisions are reemphasizing our training programs this year. Tom Worley, A.D.D., with help from Tom Moss, Training Advisor, will soon have available a new training and testing manual for seniors, to be followed by a new candidate manual. This year Phil Birdsong, Certified Advisor, will be presenting the new program for certified patrollers. We expect to see about 15 patrollers taking the course. The well trained patroller is proud of his accomplishments and is an asset to the NSPS, area management and the skiing public. We try to set up many different programs, but the final effort is up to YOU. We must stay proficient to maintain the excellent NSPS image and stop problems.

Thanks to John Lawrence, Lift Evacuation Advisor, and Keith Gray, Equipment Advisor, our lift evacuation programs are working and training many patrollers. At this time, approximately $\frac{1}{4}$ of the patrollers in this division have taken the course. A patroller from Sugar Mountain who had just helped evacuate the yellow lift at that area, told me how valuable it was to be a "graduate" of the lift evacuation course. Keep up the good work in this important safety area! It is possible that the National Safety Council will be using and taking over our NSPS Lift Evacuation Manual. I feel many patrollers have not given the search and rescue exercise the required practice. Patrol Leaders should follow up on this requirement! If you need any information or help, contact Norm Bishop, Ski Mountaineering Advisor.

Robert D. Hall, NSPS Board Representative from Eastern Division, needs input for the Long Range Planning Committee. If you have any constructive ideas or suggestions you would like to see implemented by the NSPS, now is the time. This is your system. Let's tell the Board of Directors what you want. Write: Robert D. Hall, Riverside Drive, Old Forge, N.Y. 13420.

WHAT "BONE" ARE YOU??? - From STAFF, Business Research Publications, Inc. Sept.78

Someone said that the membership of an organization is made up of four bones:

There are the WISHBONES... who spend all their time wishing somebody else would do the work.

There are the JAW BONES... who do all the talking but very little else.

Next come the KNUCKLE BONES... who knock everything that everybody else does.

And finally, there are the BACK BONES... who get the LOAD and DO the work.

David P. Dillard

SOUTHERN DIVISION SCHEDULE 1978-1979

January 27-28 Certified Patroller Clinic,
Snowshoe
28 Senior Ski & Toboggan Test,
Sugar Mtn.

February 2-4 Mountaineering Patch Course,
Mt. Rogers, Va.
4 Senior Ski & Toboggan Test,
Cataloochee
10-11 Certified Ski, Toboggan and Oral
Exams, Snowshoe
17-18 Southern Division Junior Jamboree,
Seven Devils
24-25 Certified Written and Practical
First Aid Exams, Wintergreen

March 1 Deadline for Awards nominations
15 Deadline for Southern Cross
18-21 NSPS National Junior Training
Seminar '79, Bridger Bowl,
Bozeman, Mont.
24-31 Avalanche Patch Course,
Bozeman, Mont.

April 21 Division Spring Convention
23 Deadline for Southern Cross

ALUMNI CLASSIFICATION

This classification was established last season in response to numerous requests from "retired" Patrollers for some type of liaison with NSPS.

To qualify as a member of the Alumni Association, a former Patroller must have been registered with NSPS for a total of four(4) years. All classifications are eligible for the Alumni with the exception of Candidates, Juniors and Associates.

Alumni dues are \$5.00 to be paid annually. A renewal statement for Alumni dues will be printed in the autumn issue of the National Patroller.

CHANGES IN SOUTHERN DIVISION ROSTER

Keith Argow, past D.D. has a change of address. It is now: 3710 South Main Street, Blacksburg, Va. 24060. The office phone number is 703-552-6400.

Pete Chamberlin, A.D.D. has moved. His new address is: 1027 Drinnon Drive, Morristown, Tenn. 37814, phone number 615-581-0623 (H).

Bob Edwards, Insurance Adv., asked that his home phone number be corrected. It is 919-288-8496.

William J. Schwabenton is the new PL at Mill Ridge. If you would like to patrol at this area, contact him at: 1813 Colonial Ave., Greensboro, N.C. 27408, phone 919-288-7738 (H).

John Tolbert is the coordinator for Hound Ears. If you would like to patrol at this area, contact him at: 1204 N. Center Street, Hickory, N.C. 28601. Phone: 704-327-4145 (O), 483-3629 (H).

BENBOWS - SOUTHERN DIVISION PATROLLERS!

Charles T. Benbow - National #4993, Division Awards Advisor, Carolina Highlands Section Chief, Ski Mountaineering Rocker, Avalanche Rocker, Circle A & M Instructor, Basic Test Examiner, National Mountaineering Instructor, Advanced First Aid Instructor, CPR Instructor, Water Safety Instructor, Scoutmaster of BSA Troop #141, husband of Doris and father of patrollers.

Doris Benbow - Basic Patroller, Asst. PL at Seven Devils, Ski Mountaineering Rocker, Avalanche Rocker, wife of Charles and mother of the four patrollers listed below.

Chuck Benbow - Senior Patroller, Ski Mountaineering Rocker, Avalanche Rocker, Water Safety Instructor, Eagle Scout.

Steve Benbow - Senior Patroller, Seven Devils PL, Division Junior Advisor, Ski Mountaineering Rocker, Avalanche Rocker, Senior Test Examiner, Water Safety Instructor.

Wes Benbow - Basic Patroller, Ski Mountaineering Rocker, Avalanche Rocker, Former Outstanding Division Junior, Water Safety Instructor, Eagle Scout.

Cindy Benbow - Junior Patroller, Ski Mountaineering Rocker, Avalanche Rocker.

HELP NEEDED!!!!!!

I have, ready for distribution to radio stations, some NSPS Public Service Announcements to run during the 1978-1979 ski season. With your assistance, the "word" will get out to the many skiers and potential skiers in Southern Division.

Each tape consists of four 30-second and four 10-second announcements. Of the 30-second spots, the first 3 give ski safety tips and the fourth concerns our 40th anniversary. The four 10-second tapes are institutional and NSPS image oriented.

You don't have to "sell" these tapes: radio stations will be happy to have them, since FCC requires stations to run advertisements "for the public good". There is no hard part to the job. It's leg work and a few minutes of your time.

Will you help distribute these tapes in your area? On receipt of your request, I'll send you as many tapes as you think you can place.

Benning Garrison, P.R. Adv.

HAVE ANY SKI EQUIPMENT YOU WOULD LIKE TO SELL?

Keith Gray, Equipment Adv., is also proprietor of the Pack Shack in Gastonia. He has offered to be the go-between for those wishing to sell and those wishing to buy used equipment. All you have to do is write Keith (see ad last page) telling him what you would like to sell and how much you want for it. He will then put it on his mini-computer. If you are interested in buying, write Keith telling him what you want. He will let you know what is available and who has it for sale. This should be a real service to many patrollers!

MOGULS?

For mogul busting: Tie a two-by-four between two snowmobiles and drag it over them. That's a fact.

ATTENTION ALL AUXILIARY PATROLLERS!

Please send me any and all suggestions, pros and cons about your activities performed at ski areas. This information will be compiled and forwarded to National Auxiliary Director, Dorothy Kruger.

I need to hear from each one of you to make this report as meaningful as possible. Thank you.

Mary K. Twomey, Auxiliary Adv.
29 White Pine Drive,
Asheville, N.C. 28805

SOUTHERN DIVISION JUNIOR JAMBOREE

Just a reminder that on February 17-18, Seven Devils Ski Patrol will be sponsoring the Southern Division Junior Jamboree. All persons 15-17 years of age having a current registration, will be allowed to participate. In the two days of training and classroom courses, the topics to be covered will be, first aid, avalanche, ski mountaineering, lift evacuation, toboggan handling, skiing skills, and lots of fun events.

Juniors and Junior Candidates are eligible to go through this training and testing session. There will be written tests on first aid and administrative functions. The other courses to be discussed will be done in classroom seminars and active participation on the mountain; this will include snow plow, side slip, toboggan handling and lift evacuation exercises.

The social hour will be a spaghetti dinner with live entertainment at 6:30 PM Saturday night. All patrollers in the division are invited to attend.

All Juniors who plan to attend this fun weekend should start making arrangements now!

Steve Benbow, Junior Adv.

BIGGEST & BEST REFRESHER IN SECTION

The Virginia/West Virginia Fall Refresher held on October 28th was not only the biggest ever held in that section, but also has to rank as one of the best. It was held at McLeod Hall of U.Va. School of Nursing (an excellent facility by the way) and 95 people attended.

The staff of instructors were Barbara Barnes, Randy Pugh, Nancy Shelhorse and Ron Smith from Wintergreen and Norm Katzenberg and Glen White from Homestead. These patrollers were augmented by Dr. Robert Fitz, a general practitioner, and Dr. Mike Miller, an orthopedic surgeon. Both doctors are from Charlottesville. They left us all wanting more.

Our D.D. Dave Dillard, A.D.D. Pete Chamberlin and R.D. Randy Avery also attended. In addition to awarding Wintergreen Patrol its certificate as Outstanding Patrol in the Southern Division, Ron Smith and Bing Poon were given service awards. Our leaders also gave us some words of wisdom for the coming season.

In closing, let me say we have our work cut out for us to make "79" live up to "78".

Randy Pugh

SWAP SHOPS BENEFIT SOUTHERN DIVISION NSPS



The above patrollers shown are working at the Swap Shop booth at the Atlanta Ski Show. They are (from left to right) Chuck Latkoff, Tom Worley and Wes Wesley.

The Atlanta Show was held November 10-11 and benefited the division with over \$800. Other patrollers who worked at this booth are Bill Dunaway, Marsha Godwin and Lenoir Hartzler.

The Greensboro Swap Shop was held October 20-21. The patrollers who worked hard to make this such a success are Charles, Doris and Steve Benbow, Dave Dillard, Heiner Ehrlich, Doug Hall, Norm Stripe and Tom Worley. The proceeds, all for Southern Division, amounted to almost \$500. This amount was possible as all equipment was donated outright for the sale.

The Hickory Ski Show was held October 27-28 and Sam Bruce and Ann Wood manned this booth. The amount made for a donation to ski patrol was approximately \$100.

We all wish to thank the many patrollers who gave their time and or equipment to make this possible. The final amounts are not known exactly, but we will have this information for the next issue of Southern Cross.

THE SPRING CONVENTION

In the last issue of Southern Cross there was an article about the Spring Convention. We asked patrollers to contact Tom Worley about where to have the convention this year. So far Tom has not heard from YOU.

There is a lot of territory in this division, so no matter where the convention is held many will have a long distance to travel. The Executive Committee is making plans now and would like to have as many patrollers at the convention as possible. At this time Abingdon and Gatlinburg are being considered. If you have a "druther", please let Tom Worley hear from you as soon as possible.

AWARDS

All patrollers can submit to the Division Awards Advisor any suggestion or nomination for an award. This is not limited to specific awards such as outstanding patroller, patrol, junior, etc., but merit stars and certificates of appreciation can also be suggested by ANY patroller. Send in your nomination to Charles Benbow, Awards Adv. by March 1st!

Tom Worley, A.D.D.

TELL THE WORLD!

When the Southern Crescent derailed December 3rd near Elma Va., three Wintergreen patrollers, Warren Griffin, Jim Kneas and Walter Martin were at the scene assisting with the rescue and removal of injured passengers. They proved all the training NSPS requires of us does pay off because, indeed, saved lives.

The who, what, why, when and where was recorded by an alert newspaper photographer, who inadvertently aided our public relations program by taking a picture of one of these men - of his back, so we don't know which it was. The morning papers of December 4th carried the picture, centered by a man with the unmistakable large gold cross on his back.

Our congratulations to Warren, Jim and Walter - and to that photographer whoever he may be.

Benning Garrison, P.R. Adv.

NEW SKI MOUNTAINEERING INSTRUCTORS

Beech Mountain's John Lawrence and Administrative Patrol's Keith Gray were appointed Division Ski Mountaineering Instructors December 26, 1978.

John Lawrence brings to his new job some 25 years of experience. He taught mountain climbing as a Royal Marine for 4 years at Oxford, led Outward Bound students in England, the Himalayas, Australia and New Zealand. He has numerous first ascents to his credit. Expeditions and climbs John lists include the Transantarctic Range, Vilcabamba in Peru, North Ridge of Pumasilla, North Face of Mellizos, Torayoc, Mount McKinley, a Mount Rainier traverse and "sundry others". During those years of climbing, John participated in several notable high altitude rescues. John has skied for over 20 years, 11 of them at Beech Mountain. John has been teaching survival, search and rescue and also first aid many of those years. He has taught at the University level as well.

Keith Gray is Director and Instructor of Outdoor Adventure Climbing School. He has also been a river guide, scoutmaster and lift evacuation instructor. He serves as Southern Division Equipment Advisor. Keith is well known by the Appalachian Mountain patrollers, with whom he has patrolled 3 years. Keith is an EMT. He has participated in 7 Ski Mountaineering courses in the past 3 years.

I am looking for other mountaineers with teaching ability to apply as SMIs. A postcard will get you an application.

Norm Bishop, Ski Mountaineering Adv.

FIRE FIGHTING ADDED TO CURRICULUM OF NSPS

Wintergreen held its On-The-Hill Refresher on November 4 & 5, 1978. It was well attended. In addition to the regular First Aid and Lift Evacuation, a first was accomplished in that a night lift evacuation was done by the light of the moon. It was felt that with night skiing and the possibility of a power failure it was necessary to hold this type of exercise. I am happy to report that the problem came off without a hitch.

Sunday, however, turned out to be an entirely different story. The schedule called for a self evacuation course to be taught. After the classroom work everyone moved to the hill to get on the lift. A cloud of smoke was seen rising over Black Rock Mt. The radio carried by Warren Griffin called for an investigation of said smoke. A small forest fire was discovered and a call went out for help. The Wintergreen Patrol, in true fashion, responded to the call. The fire grew larger by the minute. It was later felt that had it not been for the ski patrol being able to put a number of people on the scene very quickly, that five houses probably would have been destroyed. Unfortunately, two patrollers were sent to U.Va. Hospital overcome by smoke.

It was a tired group of patrollers that headed home late Sunday night.

Randy Pugh

SKI PATROLLERS WRITTEN UP IN WALL STREET JOURNAL

Chuck Hancock, read this in the paper 11/8/78 and thought it might be of interest to many of us.

"SKI PATROLLERS liked skiing, so the IRS wanted to ice their deduction.

Volunteers usually can deduct expenses linked to work for charitable organizations. The National Ski Patrol is one of those organizations; its 38,000 members police ski areas without pay, rendering aid to skiers. Marilyn and Charles McCollum and their two children were patrol members. At least one ski weekend a month they worked 12 hours a day without pay. The Huntington Beach, Calif., couple deducted \$4,200 as a contribution to the ski patrol for expenses connected with their patrol work.

The IRS challenged the deduction. Among other things, the IRS argued that the couple enjoyed skiing, the patrol work and the camaraderie of other patrol members. That got an icy reception in the Tax Court. Many volunteers are enthusiastic about their work and enjoy it, but that isn't grounds for denying them a deduction, the court said.

Yet the court cut the deduction to \$2,400. The couple couldn't deduct the value of their motor home as lodging as they didn't pay it out of pocket, the court said, though they could deduct motels when they stayed in them. Also, they couldn't write off their ski equipment but could deduct the cost of ski repairs."

S(NO)W KNOWLEDGE

Which ski area's manager has this solution for solving the rain-drenched snow problem? -- "Turn it over so the dry side will be up."

TOBOGGAN-HANDLING TRAINING DEVICE

The Toboggan-handling Training Device (TTD) is a useful aid in the training of candidates for their toboggan-handling proficiency tests. It is lightweight and easily transportable on a chairlift with no disruption in lift operation.

The TTD is designed to train candidates to handle the toboggan as a leadman. With a little practice the Trainer, at the back of the TTD, can apply as much force to the Trainee as a heavily loaded toboggan. The Trainer can simulate the action of the toboggan as if it were handled with or without a tailman and will change his course in response to the Trainee's commands.

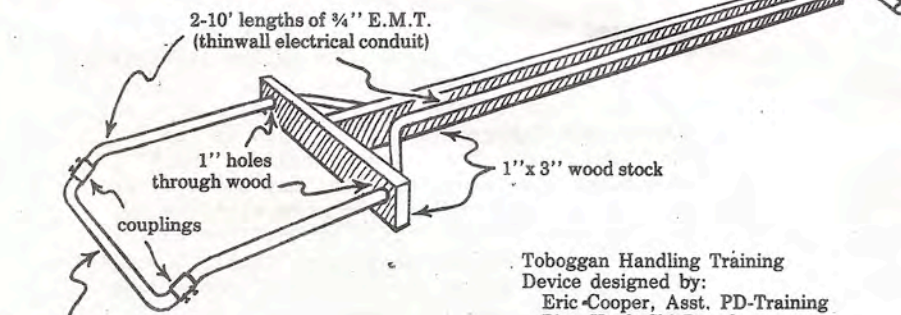
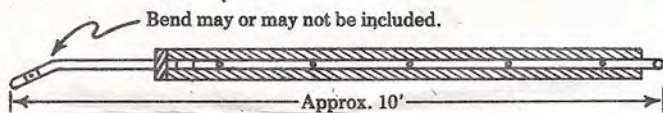
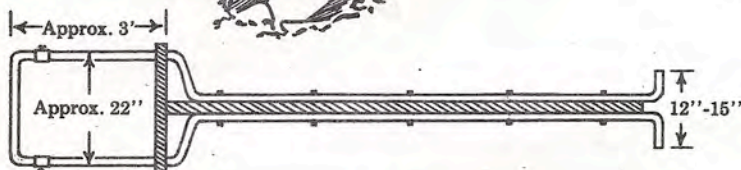
The Trainer, by simulating the load of the toboggan, can directly feel, through the device, the effect the Trainee is having on the load and can evaluate and comment as the Trainee is making his run.

While the TTD is not designed to replace the toboggan in training, it enables the candidates to take more runs during a training session without the bother of transporting a number of toboggans back up the hill.

The TTD is of most benefit to a patrol that trains a large number of candidates, and it enables one or two pairs of candidates to train with one or two TTDs while a three-person group works with a toboggan.

The TTD can easily be constructed with the use of a 3/4" electrical thinwall conduit blender and a few hand tools. A ready-to-assemble or pre-assembled TTD can be purchased for \$40 from: Eric Cooper, 1280 Williams Lake Road, Union Lake, MI 48085 (phone 313-363-5252).

(Taken from "Rusty Parka News", Winter Issue.)



Extra piece of 3/4'' E.M.T. bent and coupled to the two 10' lengths

Toboggan Handling Training Device designed by:
Eric Cooper, Asst. PD-Training
Pine Knob Ski Patrol
Clarkston, MI (1-6-78)

EQUIPMENT FOR SALE?

If any patrol (or patroller) wants adjustable Thomas 1/2-ring traction splints, they are available for \$4.00 each, plus shipping charges from Charlotte, N.C. They come 2 in a box and will be sold in this way only.

Pro forms are available for Atomic Skis and Look or Salomon bindings.

The Pack Shack no longer carries Harper Packs or Ski Patrol emblems.

If you are interested in any of the above items, contact the Pack Shack. (See ad for address.)

Keith Gray, Equipment Adv.

SENIOR TEST ADMINISTRATION MANUAL AVAILABLE

The first Southern Division manual is now available. The new manual is "Senior Test Administration Manual". It is 35 pages of information concerning the Senior Test, Senior Test Candidates, Senior Test Judges and Southern Division Senior Test Policies. For copies, contact Reggie Hassler or Tom Moss (addresses below). A candidate's manual is presently being worked on by Greg Walczynski, Division Training Advisor and myself. It should be available by the end of February or early March.

Tom Worley, A.D.D.

Reggie Hassler
Route 3, Box 336-H,
Boone, N.C. 28607

Tom Moss
P. O. Box 11467,
Knoxville, Tenn. 37919

FIRST AID ADVISOR'S SUGGESTIONS

This article was taken from "The Toboggan Run", published by the Western Mass. Region of the Eastern Division NSPS.

1. Need waterproof storage for small items? Plastic containers for 35mm Photographic film are ideal for everything from safety pins to aspirins or sugar.
2. Why is sugar suggested? Packets of sugar, life savers or other hard candy are not only good for hypothermia, but also diabetes problems. Of course only if the person IS CONSCIOUS.
3. Ever lose a jackknife or scissors in the snow? Snap them onto an inexpensive cat leash and loop or sew the handle inside your "belt". Be sure to close the knives when you've finished using them.
4. A sanitary napkin has multiple uses. They work well for padding or first aid treatment for wounds with heavy bleeding. Store in a "baggie" and tape the flap to keep them dry and clean.
5. Portable hair driers have many uses. Warm your boots before putting them on, or make a plastic boot more pliable if the injury requires its removal. They are also very effective when localized warming or drying is needed.
6. Want to improve public relations? Have screw drivers and pliers available for skiers who need to make adjustments and can't get to the ski shop (particularly at the top of the lifts). Securing them with linked chains and filling the slots of attaching screws with epoxy will discourage theft. One patrol made benches for skiers at "the top" with tools attached. Skiers loved them and Patrollers benefited by not being called on to make necessary adjustments. Not a Patroller's job.
7. Want to save money and do a better splinting job? Filament tape is great for cardboard splints and is cheaper than cloth ties if you do resplinting in the Patrol Room. It is also stronger and will not stretch. Try some "3M" No. 890 3/4 inch filament tape with a Model H-10 hand dispenser. It's fast, neat and easier than ties for securing cardboard splints. Be careful that you don't make them too tight - you can't untie it. I figure that the money saved by two rolls of tape compared to cloth will pay for the dispenser.
8. Cardboard splinting of legs goes better if you staple the foot section together in advance rather than use ankle bandages. It is faster and won't come loose. Now that adhesive backed ski tickets are in use you can probably get the old ticket staplers from your area management. Obviously it's best to staple the splint before placing on the injured part - and obviously this is for resplinting in the Patrol Room after the "quick" or "inflated" splints are removed there.
9. Ever have to give directions to the hospital to strangers? A printed sheet with a map and directions will save a lot of time and insure that the driver doesn't get lost. You can also list some basic instructions for care of the injured on the way to the hospital.

10. Ever wonder what happened to the injured skier after they left the area for the hospital

(continued next column)

and what the doctor's diagnosis and treatment was? A pre-printed, return addressed post card with questions and space for answers will give excellent feedback and data for meaningful accident records. It also helps public relations by showing that you care.

NOTE: Do you have questions on these items or want to share your ideas? Send a letter or post card with description to: Kim W. Howes, 35 Park St., Northampton, Mass. 01060.

SPAGHETTI DINNER

On Saturday, February 17th Seven Devils Ski Patrol will be sponsoring a spaghetti dinner at Seven Devils Ski Lodge. The dinner will include salad, spaghetti with the Benbow's special sauce, hot bread, wine for adults and cokes for the kids. There will also be live entertainment.

This promises to be the best gathering of ski patrol and friends of this year.....so don't miss it! Advanced ticket sales will begin February 1st, so make plans now to attend. The public is also invited, so bring your friends.

Steve Benbow, PL

EVACUATE!

More than 400 people will never forget January 5, 1979. Snow, cold temperature and a stuck lift created a drama long dreaded, but prepared for at Sugar Mountain.

About noon a phone call to the ski patrol room announced "Lift evacuation". You're kidding I said, but it was no joke. The yellow lift was stopped and filled with skiers up to the 3/4 station. Bobbie Rupp had just come in with a victim in a toboggan, so she stayed in the First Aid Room. The 4 pro patrollers and 4 volunteers who were there that day started the evacuation immediately. Two more visiting patrollers were on the lift - in the same chair. Just after it was announced that the lift would be evacuated, one of the "stranded" patrollers, Jim Underwood, was seen lowering his self-evacuation rope. Everyone was delighted he was so well prepared. Suddenly his rope went back up to the chair. Everyone waited breathlessly and then down it came again. This time Jim came down too, in a well done self-evacuation. His partner, Gary Riser, then used Jim's equipment and he too self-evacuated. Now there were 10 patrollers working to evacuate the skiers on the lift.

In only an hour and 15 minutes the evacuation was complete. Free hot coffee was handed out at the Snack Shack on the slope to the evacuees as they were rescued. First aid was given for the few minor accidents and some very cold hands were warmed up. The other patrollers helping were Karen and Susan Barnhardt, Madge Dillard, Sherwood Horine, Donny Russell, Arch Smith and David Wray. Many thanks to them!

Mountain Manager, Gunther Jochl, was so pleased with the smoothness of the procedure that he had a "Happy Hour" for the patrol after sweep.

Sherry Perry, Pro PL

The following letter was written to Dave Dillard.

As you will recall, I attended the Lift Evacuation Seminar at Seven Devils November 18 and 19. I thought the Seminar was excellent in every way and wish to take this opportunity to express in detail how really good I thought it was.

First of all the instruction was outstanding. Both Keith and John are very effective instructors, are clearly knowledgeable in this area and deserve special recognition for their mastery of not only the theoretical and technical aspects but also the very practical aspects of this subject. Also, between Keith and John there was sufficient instruction available at all times.

I also thought the organization of the Seminar was outstanding. The Saturday morning classroom work was well organized and the afternoon session on the rocks, which presented much greater organization problems, could not have been better organized. The high point of the organizational effort was the foresight involved in arranging for the keg of beer.

The equipment we used also deserves mention. Too often in instruction sponsored by NSPS, as well as others, the equipment is either inadequate, or not available in sufficient quantity, or sometimes even both. In this case, we had more than a sufficient amount of equipment and the equipment was of better quality than most of us beginners deserved. Special thanks to Keith and John for the climbing related equipment and to Mark Eaton and Seven Devils Management for the use of the lifts and facilities.

In closing, I must confess before taking the Seminar I was not convinced the time and effort involved in taking two days for the Seminar would be justified by the knowledge gained. I am now convinced the two days are justified and believe this activity should receive continued and increased support.

Sincerely,

Charles R. Martin, Seven Devils Ski Patrol

SENIOR CLINIC & FIRST AID TEST HELD AT WINTERGREEN

On January 6 & 7 Wintergreen was host to a Senior Examiner Clinic and First Aid Test. While the Senior Examiners were in their clinic, Senior Candidates and Basics were taking their First Aid and Administrative Test. A Basic Ski Test and Senior Clinic were held on Sunday.

The Senior Examiner Clinic was well attended. In addition to the locals, Dave Dillard, D.D., Tom Worley, A.D.D., Randy Avery, R.D. and Reggie Hassler, Testing Adv. also attended.

As a result of the Basic Test, Wintergreen has 4 new patrollers: Doug Barry, Tim Carwile, George McCabe and Mark Smith. Shawn Feeney is a Junior who was retested after a years absence.

The Senior Candidates found they have a lot of work to do before the exam at Snowshoe on the 21st of January.

Randy Pugh

The following excerpts are from FOB #78-15.

I. NSPS Insurance Coverage

We are pleased to announce that we have obtained higher liability insurance limits under our liability program with a major premium reduction. It has been placed through two qualified brokerage firms specializing in ski activities.

II. NSPS Loss Control Policy

The National Director, Donald C. Williams, and the past National Director, Charles Haskins, support the following Loss Control Policy.

- A. The Divisional Director shall be responsible for reviewing each skiing collision accident, chair lift evacuation accident, toboggan handling accident, and other patrol related accidents, any of which involve patrollers for the purpose of determining whether disciplinary or other appropriate action shall be taken with regard to a patroller, or patrollers involved. Such review may be administered by a committee appointed by the Divisional Director or by the Divisional Director himself. The findings produced from reviews shall be forwarded to the National Counsel, Risk and Insurance Management and National Legal Counsel. They shall either accept such reports or may forward the same, accompanied by an opinion to the National Director for appropriate action as the National Director shall determine.
- B. All chair lift evacuation programs shall be subject to the following policies:
 1. All chair lift evacuation plans and procedures shall be formulated and conducted under the direction of area management.
 2. An annual on-the-hill chair lift evacuation refresher shall be conducted also under the direction of area management.
 3. The NSPS chair lift evacuation manual shall be minimum standard of performance in all chair lift evacuation plans and procedures.
- C. In recognition of the fact that improperly adjusted bindings are one of the major causes of ski related accidents, and in recognition of the efforts of the NSPS to reduce binding caused accidents through its binding check program, it is hereby restated and emphasized that in no event shall any binding check include binding adjustment.

III. Claims Handling Procedures

If a patroller is served with a notice of claim or is involved in a lawsuit, the following steps should be taken immediately by the concerned patroller.

1. Notify his/her Home Owners insurance carrier and/or liability insurance carrier (primary or special excess umbrella coverage) or broker immediately.
2. Notify and PROVIDE ALL RELATED DOCUMENTATION concerning the matter to your Line Officer (PL, S.C., R.D., A.D.D. or D.D.) to be forwarded to the National Office IMMEDIATELY.
3. Notify the Divisional Risk and Insurance Management Advisor.
4. Notify the Divisional Legal Advisor.

It is a sobering thought to consider you might be sued. This is one of the reasons NSPS has its standards, constant training, and continuous programs to improve abilities to render aid.

Bob Edwards, Insurance Adv.

FIRST-CLASS MAIL

PHILIP A. BIRDSONG
WINTERGREEN RESORT
WINTERGREEN, VA. 22938

THE SOUTHERN CROSS
P. O. Box 36
Banner Elk, N.C.
28604




The Pack Shack
2242 E. FRANKLIN BLVD.-SUITE A
GASTONIA, N. C. 28052
PHONE: 867-7871

BACKPACKING MOUNTAINEERING CAMPING
SKIING

DISCOUNTS TO PATROLLERS

OWNED & OPERATED BY NSPS PATROLLER



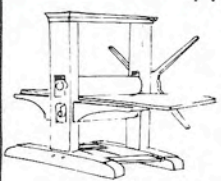
GREENSBORO SKI RENTAL & SALES, INC.
BENBOW REPRODUCTIONS, INC.
3914 WEST FRIENDLY AVE.
GREENSBORO, N. C. 27410
1979 (704) 299-0434

FISCHER BLIZZARD
SALOMON LOOK

DISCOUNT TO NSPS MEMBERS



MINOR'S PRINTING & DUPLICATING
115 W. Howard Street — Boone



- RESUMES
- PROGRAMS
- TICKETS
- WEDDING INVITATIONS

PRINTING IS OUR BUSINESS — NOT JUST A SIDELINE!
SERVICE IS OUR GOAL — NOT JUST A MOTTO!